

**Product Code : RMSB/ ( Customer required to specify upstand and required out reach over roof. )**

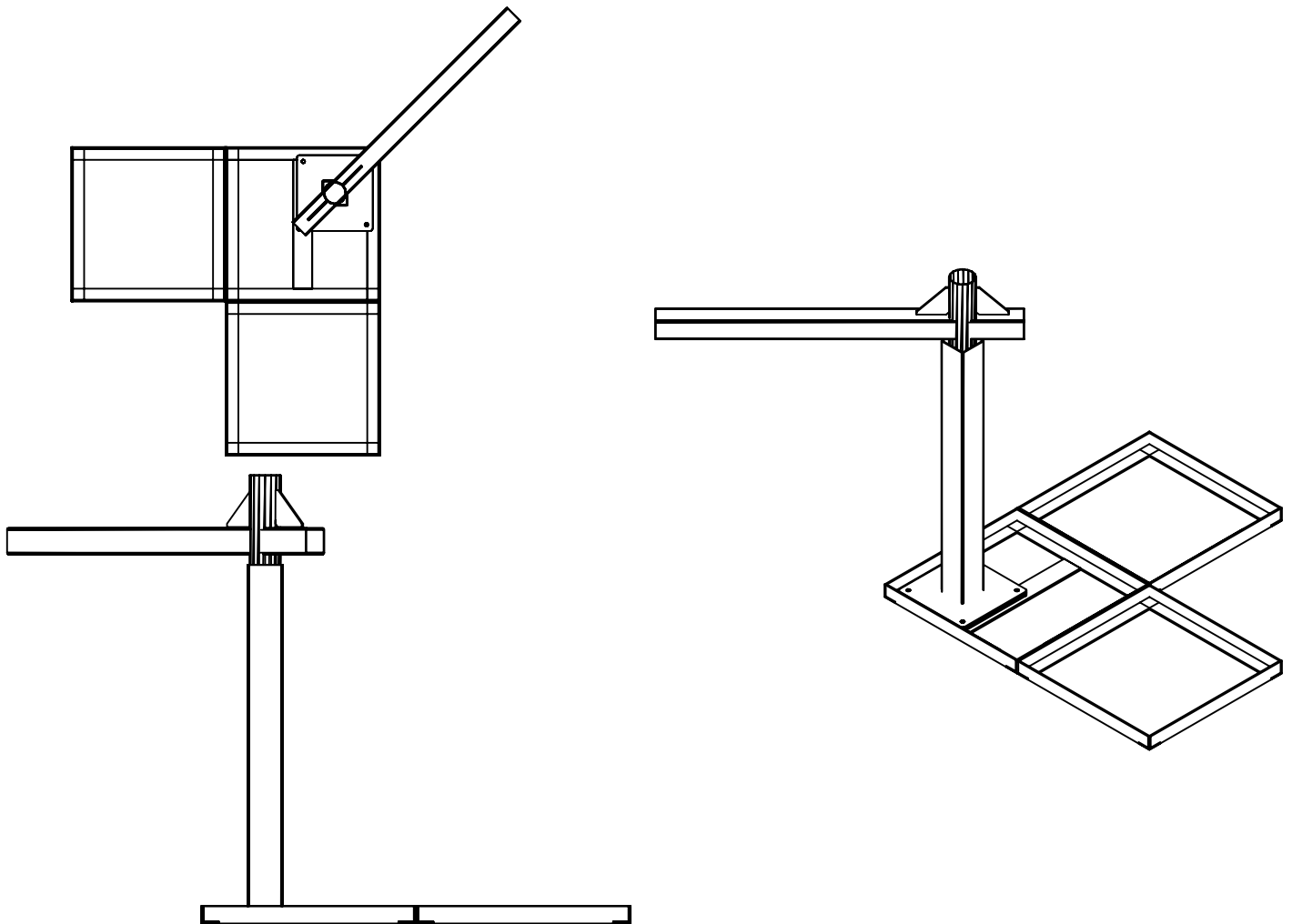
**Order**

- / FS free standing flag mount fixing
- / IWM Internal wall mount fixing
- / ICM Internal corner wall mount fixing

The CTE RMSB roof mount swing brackets allows cameras whether fixed, dome or ptz to be mounted to view over a roofline. These are popular for football stadiums, high raise flats etc. These brackets can be fixed to internal parapet wall / corners or even flag mounted as a free standing bracket. Manufactured as standard with a pivoted arm that rotates to service cameras on roof top.

**Product**

- Manufactured fully galvanised
- Manufactured with required upstand and bracket outreach as a custom
- Available for fixed, dome and ptz installations
- Can be painted to required ral / bs colour
- Wall, corner and flag mount free standing types available



**MANY ITEMS ARE IN STOCK PLEASE CALL FOR UP TO DATE AVAILIBTY AND PRICES**



Camera Tower Engineering Ltd  
Cotton Hall Street  
Darwen, Lancs.  
BB3 0DW

Tel: 01254 701666 Fax: 01254 701888  
Email: [sales@camera-towers.com](mailto:sales@camera-towers.com)  
Web: [www.camera-towers.com](http://www.camera-towers.com)