



PLAY AND
SPORTS
LIMITED

Inclusive Play- Let's Play Together



Play and Sports Ltd
1 Castleton Grove
Glasgow G77 5LH
0141 280 1914 (t)
mail@playandsports.co.uk
www.playandsports.co.uk

About Play and Sports Ltd

Play and Sports Ltd supply and install attractive and robust play equipment, available in timber, stainless steel or aluminium, to suit all environments, ages and abilities.

We offer dynamic, exciting children's playgrounds using high quality products to provide fun, durable and creative play and learning experiences for children and teenagers alike. As children's safety (and enjoyment, of course) is a key factor, all equipment and surfacing is designed, manufactured and installed to European Safety Standards (EN 1176 & EN1177)

We work with our clients to create play areas that meet the needs & wishes of the intended users within the limits of available budgets and sites. We offer help and support throughout the process; from initial enquiry to planning, design, installation, guarantees and after sales care.

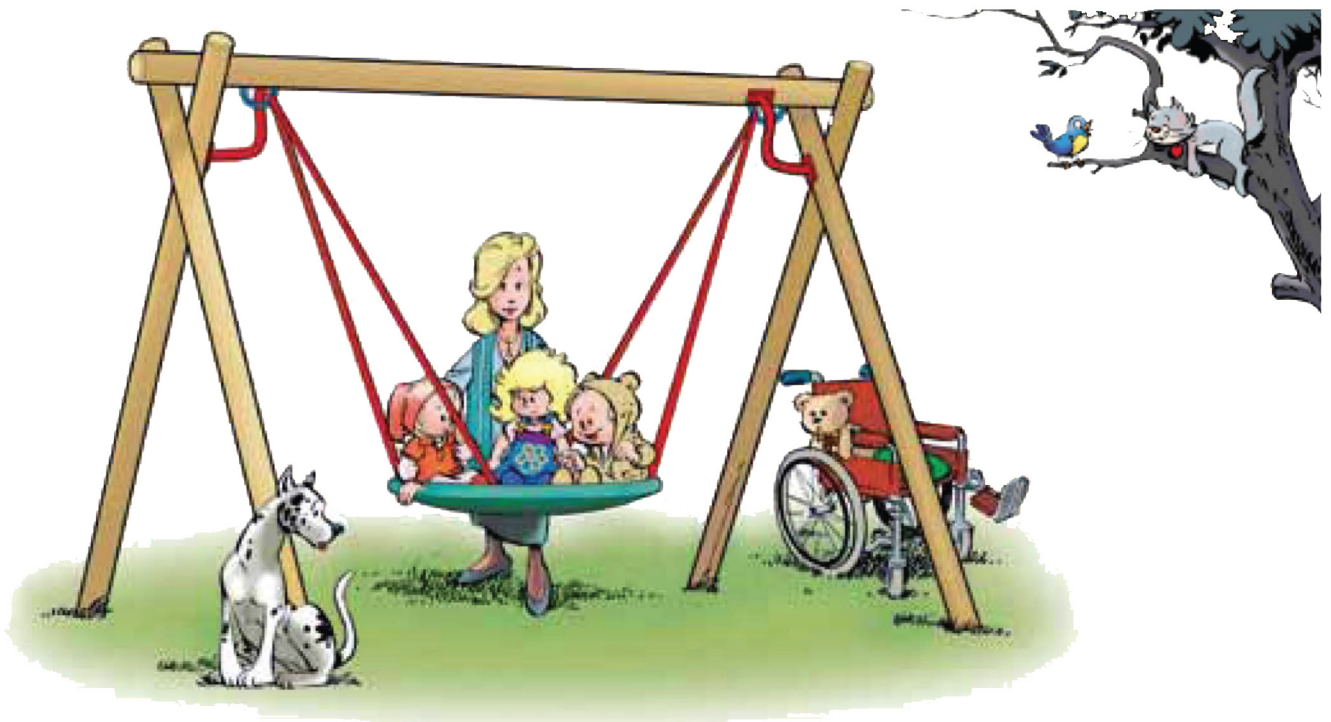
As part of our corporate strategy, Play and Sports Limited;

- ★ Guarantees all works are completed to the highest possible standard
- ★ Completes all work activities in accordance with Approved Codes of Practice

Safety & Quality

We recognise that safety for children is the key element to be considered when installing and manufacturing playground equipment. Therefore, all of our play equipment and surfacing is designed, manufactured and installed to European Safety Standards (EN1176 & EN1177).

Our product ranges are consistent with the requirements of safety, DDA, child protection policies and accident prevention

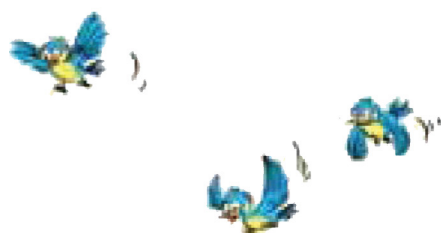


Inclusive Play Equipment

Overcoming accessibility issues is an important objective for any community. Encouraging children of varying abilities to play together is an excellent, exciting way to achieve this goal. Inclusive Play Areas provide a positive impact by creating a focal point for children to learn and play together so we offer both – Inclusive Play & Standard Play Equipment .

Most of our standard product ranges are accessible to a greater or lesser degree to children of various abilities. Where additional accessibility is required, we have so e specialist it to complement and complete our standard range - helping to develop both the child and the community.

From low level equipment, wheelchair accessible roundabouts and swings and sensory play panels, we offer exciting learning experiences for all



Wheelchair Accessible Roundabouts

These fantastic Merry-Go-Rounds offer safe, accessible alternatives to traditional Roundabouts- without sacrificing a single element of fun.

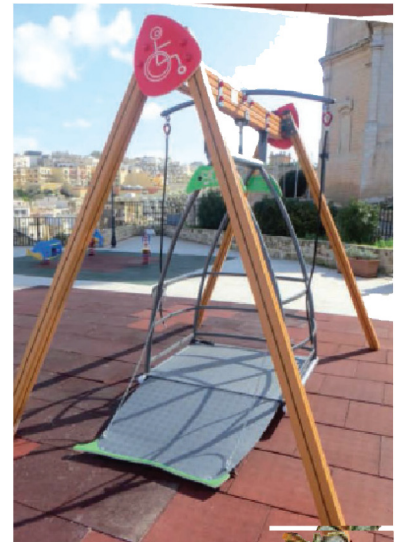
Inclusive Roundabout made of steel, with aluminium decks, allows easy for all- including wheelchair users. The large roundabout can be turned by using the central wheel – or the traditional push! With optional security straps to reassure wheelchair users that they are secure whilst the roundabout is in motion. And of course - non wheelchair users can join in the dizzying fun, either sitting or standing.



NEW – a smaller version for a single wheelchair user - or a few standing individuals

Wheelchair Accessible Swings

These Aluminium swings have low level ramps for easy wheelchair access. As well as being extremely practical, the sturdy swings are fun to use with a rope mechanism that lets the user create motion themselves. The aluminium structural posts are available in bright primary colours. Non wheelchair users may be jealous, watching their friends use these dynamic swings. The swings are well supported offering stability for the user with optional safety fastenings to secure the wheelchair whilst the swings is in motion - choice of rear or side access



And for those who just need some support, try our Nest Swings or Special Needs Seats. The centre of the nest is literally a nest that keeps even the most disabled child completely snug as they swing



Wheelchair Accessible Trampoline



Trampolines are delivered pre-assembled and ready for installation. Including the metal frame that goes into the ground and rubber safety tiles. The jumping area is made of multiple connected spring-segments in a heavy duty plastic compound.

The trampoline is equipped with a hinge operated opening system for the purpose of cleaning

Small version: (Art.No. 8710)
Outer dimension 1750x1500mm
Jumping area 1250x1000mm
Safety area 4750x4500mm



Big version: (Art.No. 8720)
Outer dimension 3000x2000mm
Jumping area 2500x1500mm
Safety area 4750x4500mm
(suitable for Wheelchair Users)



Low Level Multi-Play Equipment

H110 TULIP



700 x 790 x 310



120



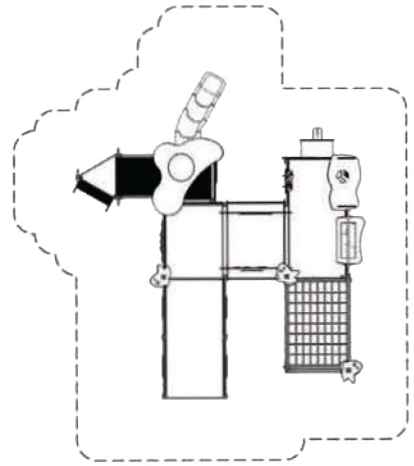
min. 82,75m²
MAX 104,5m²



3 - 12

1000

1080



H120 FLORIDA



600 x 500 x 260



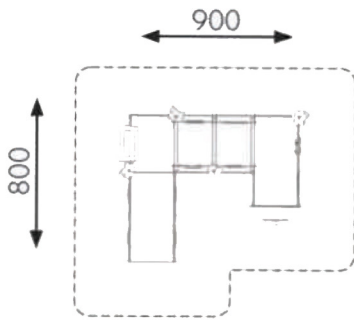
33



min. 66,00m²
MAX 72,00m²



3 - 12



Our low level ramps are ideal for use in a public play area catering for mixed ages and ability levels. The low level ramps allow non restricted access, with play panels, peek a boo, sand box, and decorative flowers to fire the imagination and encourage children's development and learning skills.



H170 CANYON



980 x 390 x 315



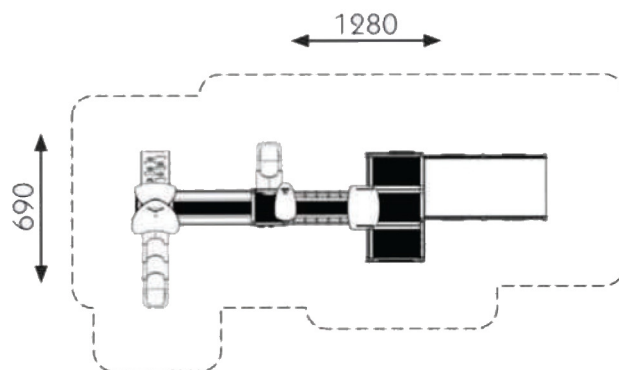
110



min. 75,25m²
MAX 91,00m²



3 - 12



H130 ISOLA DI KONG



350 x 350 x 200



-



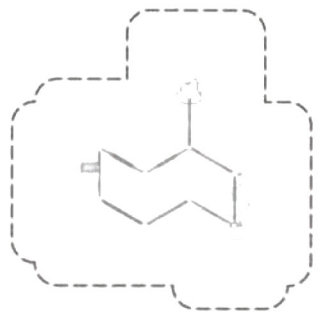
min. 34,00m²
MAX 42,25m²



3 - 12

650

650



The Miami play tower with low level ramps, play panels, single slides, double slides, a rope tunnel, slides, bridges, cubbies, crawl tunnels and more. It encourages children of all ages and abilities to play together on a single piece of equipment. The Miami tower is an excellent solution to access issues in the playground, as it brings all children together in play, learning and development



720 MIAMI



950 x 1510 x 480



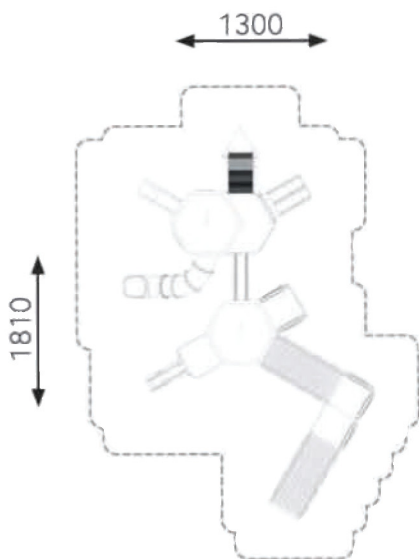
125



min. 171,00m²
MAX 234,00m²



3 - 12



722 TAMPA



740 x 940 x 450



80



min. 107,75m²
MAX 143,00m²



3 - 12

1290

1090



496 TRICK



375 x 240 x 260



60



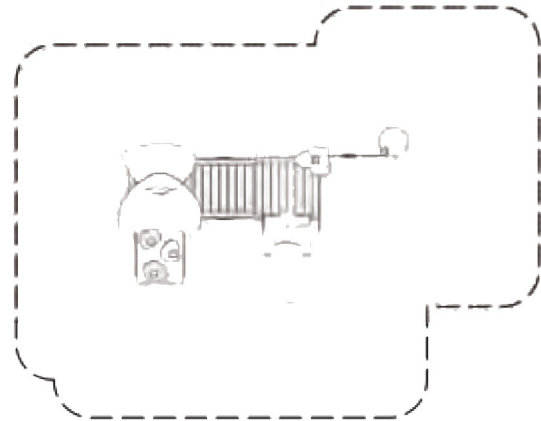
min. 34,00m²
MAX 38,50m²



3 - 5

675

540



**ALSO AVAILABLE IN VERSION
WITH ACCESS RAMP**

Access Aids

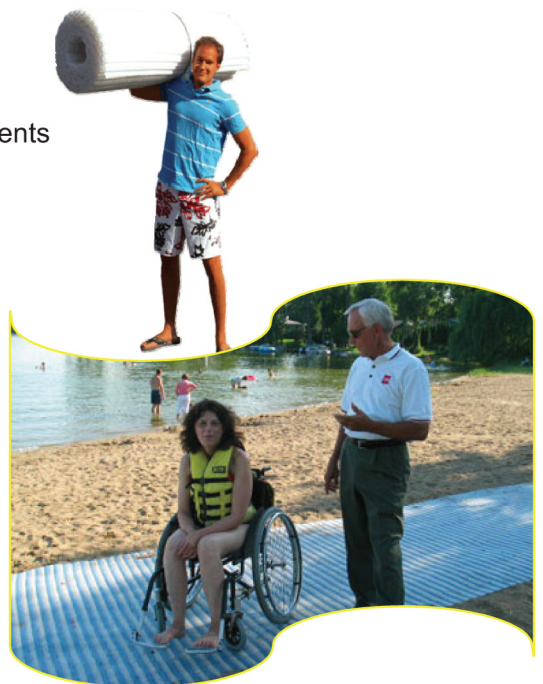
In addition to our quality ranges of Inclusive Play & Sports Equipment, we have introduced 2 additional products to the UK that are designed primarily for use by wheelchair users.

Mobi-Mat

MOBI-MAT is an extremely tough, ultra-light, non-slip ground matting that gives temporary and safe access to users across unstable, natural surfaces (covered with sand, mud or snow). MOBI-MAT ground cover has applications in a huge range of areas: it can be used by:

- ★ Holidaymakers on the beach
- ★ Yachting enthusiasts and lifeguards as a boat-ramp
- ★ Walkers as pathways to help protect sensitive environments
- ★ Work crews as a temporary roadway
- ★ Wheelchair access to gravesides

Mobi-Mat can be left in place permanently on unstable grounds such as sand, grass, snow, gravel and dirt. However, it is extremely mobile, and may be used for other events as required. Its permeable structure allows vegetation to grow through it, so doesn't damage sensitive surfaces such as sand dunes, hill paths or sports turf. As it is so easily removed, Mobi-Mat complies with environmental regulations, meaning it can go where other surfacing materials can't.



Tiralo Chair

"Already a familiar sight on Spanish beaches, the Tiralo has arrived in the UK. It allows people not only to cross the beach but to go right into the water as well. It even floats."
(BBC NEWS In Pictures In pictures Best of Naidex 2006)



With its revolutionary design and comfortable reclined seating, the Tiralo redefines the concept of beach leisure. Its wide wheelbase and stability makes it easy to cross difficult trails (even snow) and beaches – as do many beach wheelchairs – but the Tiralo's Floatrests also allow you to bathe in the sea, lake or pool in a safe, comfortable position. This mobile, practical chair folds for easy storage and is easy to maintain. NB: *While the Tiralo floats, it is not a boat and should only be used in calm waters under supervision of a non disabled adult.*



Safety Surfacing

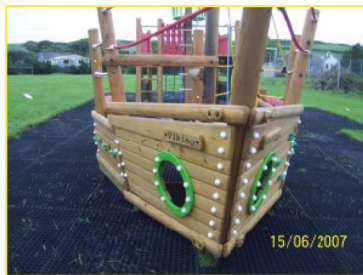
Although safety surfacing is not always required, particularly with low level equipment found in many Inclusive Play Areas we do have a wide range of available surfaces. Our most popular, as shown below, are;

- * Poured in situ Wet Pour Rubber
- * Safagrass
- * Interlocking Rubber Safety Tiles
- * Ecobounce

Our aim is to offer the most advanced materials and equipment and to incorporate stringent safety standards with the most creative designs, so we continuously seek out other innovative choices of safety surfacing. All surfacing is supplied and installed to comply with EN1177.



Continuous wet pour surfacing – with graphics



Safagrass as installed



Safagrass when grass has grown



Rubber
Safety Tiles



Ecobounce

Birmingham Children's Hospital

We worked with Capita Percy Thomas and Birmingham Children's Hospital to create a new, exciting outdoor play area in an enclosed courtyard. This area would be approximately 316, within the centre of the hospital estate, adjacent to the existing indoor play area.

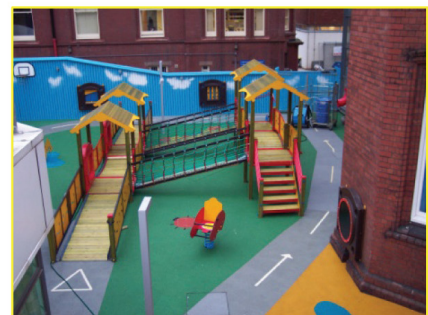


The play area was designed to provide a fun learning experience for children of all abilities, including those in hospital beds and wheelchairs, children with conditions such as autism were also carefully considered.

The play area has been a roaring success with everybody – the children, parents and staff at the hospital. Areas for solitary play, interactive

play, skilled games and energetic play were all combined to create this wonderful area, along with relaxed seating areas for children and adults.

Our design team worked closely with the clients to achieve this fantastic space for Birmingham Children's Hospital. The delight it has brought to the children made this an extremely rewarding project which we are very proud of.



Belmont Children's Centre



The school and local community at Belmont Children's Centre were eager to create an attractive, inclusive play area where children of all abilities could play together. We worked to create an exciting, colourful play area with a mixture of equipment to suit children with disabilities alongside their non-disabled friends.

Rubber wet pour surfacing was used to create a safer, more attractive play area and adds to the play value by adding yellow brick roads and bright islands between play areas.

The inclusive play area has made an incredible impact on pupils, parents and staff at the Centre by enabling them to play and interact with their peers. Our design team thought it best to include two swings in the Belmont Play Area. Both swings allow pupils to lie down to experience movement using their whole body and the two-seat slide have encouraged children with autism to develop social skills and actively seek out contact with others.



During their recent inspection, Her Majesty's Inspectorate of Education also stated that they were impressed by the facility. 'The Inclusive Play Area has made a very positive impact on pupils of the Children's Centre by enabling them to play and interact with their peers.'



Quarriers

Quarriers are a Scottish charity, founded by William Quarrier over 130 years ago. They aim to provide the most diverse range of services in Scotland through a various projects. They offer support and care to help people overcome physical, mental or emotional problems, particularly those living in poverty.



We worked closely with Quarriers Chavy Down to create a play area specifically for children (age 8- 18) with autism and physical disabilities which would encourage the children to play safely , use their imagination and take a little risk in a supervised environment.

The equipment used included our Wheelchair Accessible Swing, Double Safety Swing with Special Safety Seat and various Sensory Play Panels. The combination of equipment with different play and learning experiences proved a great success at Quarriers. We also created a road effect path using our Rubber Wet Pour Surface, adding to the overall fun factor of the play area experience. To keep costs within Chavey Down's very tight budget, Safagrass was used under the swings as a safety surface. When the grass has had an opportunity to grow, the safagrass surface will be barely visible



TÜV



GOTTARDO playground equipments are designed and made in accordance with EN 1176, accompanied by specific technical documentation regarding the preliminary stages for proper placement and installation of the game, especially with regard to solutions that has to be adopted to make the entire structure in accordance with EN 1177, adopting an appropriate safety surfacing all around the structure. Each game is tested to be certified by TÜV SÜD, which authorizes the adoption of the TÜV mark.

PRODUCT PLATE

All playground equipments have a plate which contains the game code, the year of production and the reference EN standards.



FSC

Assurance certification on the process of impregnation of the wood. All the pine wood used in Gottardo playground equipments is pressure treated with non-toxic salts and certified FSC.



ISO9001

The whole production system Gottardo, from design, production and after-sales service is ISO9001 certified to ensure a high standard of quality.



WARRANTY

All Gottardo products are covered by liability insurance to third parties for damages caused by manufacturing defects.



SECURITY

The current European safety regulations require that:

1. Parameters in the standards EN 1176 article 1-2,3-4-5-6 are respected in design and construction processes.
2. Is prepared by the manufacturer a detailed prospectus for the installation and inspection, maintenance and use of the equipment;
3. A safety surface is provided below the playground all around its surrounding area (impact area) with suitable flooring material or absorbing impact in accordance with the provisions of EN 1177. The width of impact area is depending on the size of the game and the height of free fall, which is considered with reference to the highest point reachable by the user

The prospectus (above scheme) is considered when the drop height is above 600 mm. All products in this catalog are designed, constructed and approved by TÜV SÜD in accordance with EN 1176.

BEFORE PURCHASING A PLAYGROUND EQUIPMENT WE RECOMMEND TO:

-CHECK DESTINATION AREA. It's gonna be appropriate for the equipment, with special reference to the "minimum space" (space occupied by the equipment, above and around the same.). The size requirements are highlighted in the plan included with the playground equipment also with the safety area (impact area) required. The impact area must be free from obstacles--the walls or trees.

-ESTABLISH depending on the HEIGHT OF FALL in the game (evaluation of the highest points of fall) type height floors or height climbing, gyms, etc.), the most appropriate solution of SAFETY FLOORING according to the instructions of the prospectus.

- Depending on the frequency of use of the equipment, set up in accordance with the manufacturer the monitoring frequency according to the scheme based on the structure for inspection and maintenance control.

WE ADVICE TO:

- Prefer using if possible natural materials (rounded gravel, bark, sand, grass) for safety areas of playground equipments
- Use the rubber flooring on points of maximum trampling (slides, ladders, climbing frames, swings, etc.), avoiding the formation of dangerous depressions resulting in the formation of mud when it rains.

WE REMEMBER THAT:

Using a SAND FLOORING you'll have to provide daily round-up of the sand before opening the playground area.

MATERIAL (b)	DESCRIPTION (mm)	MINIMUM DEPTH (mm)(b)	CRITICAL FALL HEIGHT (mm)
Lawn / Soil			
Bark	20 TO 80 GRAIN SIZE	200	≤ 2,000 (c)
		300	≤ 3,000
Wood chips	5 TO 30 GRAIN SIZE	200	≤ 2,000
		300	≤ 3,000
Sand (c)	0,2 TO 2 GRAIN SIZE	200	≤ 2,000
		300	≤ 3,000
Gravel (c)	2 TO 8 GRAIN SIZE	200	≤ 2,000
		300	≤ 3,000
Rubber surfacing			Depending on certification tests
	Thickness 30mm		1,000
	Thickness 40mm		1,300
	Thickness 45mm		1,500
	Thickness 60mm		2,000
	Thickness 70mm		2,500
	Thickness 90mm		3,000

WARRANTIES

All products are guaranteed against manufacturing defects under normal use and confirmed not later than 12 months after issuance of invoice. Aesthetical/maintaining of the equipment or cleaning of it is permitted only by using soap and water.

GUARANTEE IS NOT OPERATING as a result of inappropriate installation of the equipment in the absence of a regular maintenance check.

The WARRANTY DOES NOT COVER ANY OF THE FOLLOWING CONDITIONS:

- Damage due to misuse or non-conforming use for which the game was designed;
- Damage caused by modifications to parts of the game or repairs not performed by the company;
- Any damage caused by vandalism.

On customer request the company can extend the warranty on the product. The validity will be valid only with a specific written document.

TABELLA DELLE GARANZIE

Structural poles, stairs and floors made out of aluminum.	50 years
Structural poles, treated pine floors and stairs.	10 years
PTE components (roofs, slides, panels, ramps) treated with anti-UV. Limited to 3 years on the loss of color intensity.	10 years
HPL laminates (railings, stairs sides, panels).	10 years
Steel components (frame floors, bridges, step boxes, handrails, guardrails frames, springs).	5 years
Various components: including all moving parts (bearings, seats, swings, grips, footpegs, nets, plastic joints, and wheel nut caps, pole caps).	1 year



Play and Sports Ltd

1 Castleton Grove, Glasgow G77 5LH

mail@playandsports.co.uk

www.playandsports.co.uk

0141 280 1914 (t)



Play and Sports Ltd
Registered in Scotland: No: SC408799
Registered Office: 5 Royal Exchange Square;
Glasgow G1 3AH